



1000W Single Output Medical Type

MSP-1000 series

User's Manual



ANSI/AAMI ES60601-1

TPTC004

IEC60601-1



■ Features

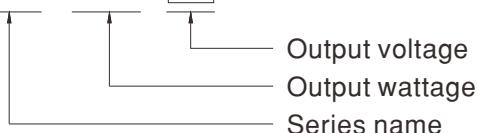
- Universal AC input / Full range
- Built-in active PFC function, PF>0.95
- High efficiency up to 94%
- Withstand 300VAC surge input for 5 seconds
- Protections: Short circuit / Overload / Over voltage / Over temperature
- Medical safety approved (2xMOPP)
- Suitable for BF application with appropriate system consideration
- Built-in cooling fan ON-OFF control
- Current sharing up to 4000W (3+1)
- Built-in DC OK signal
- Built-in remote ON-OFF control
- Standby 5V@0.3A
- Built-in remote sense function
- No load power consumption<0.75W (Note.6)
- 5 years warranty

■ Description

MSP-1000 is a single output enclosed type AC/DC power supply delivering 1000W output power for a wide range of medical applications. The entire series operates for 90~264 VAC input voltage and supplies different output voltages between 12V and 48V that can satisfy the demands for all kinds of medical equipments. Meanwhile, the circuitry design meets the international medical standards, 2x MOPP, suitable for medical electrical devices. MSP-1000 is equipped with various built-in functions such as auxiliary power, remote sense and remote on-off control, offering vast design flexibility for the purpose of using control solutions.

■ Model Encoding / Order Information

MSP - 1000 - 12



■ Applications

- MRI scanner
- CT and PET scanner
- Medical bed
- Surgery table
- Medical measurement device

■ GTIN CODE

MW Search: <https://www.meanwell.com/serviceGTIN.aspx>



SPECIFICATION

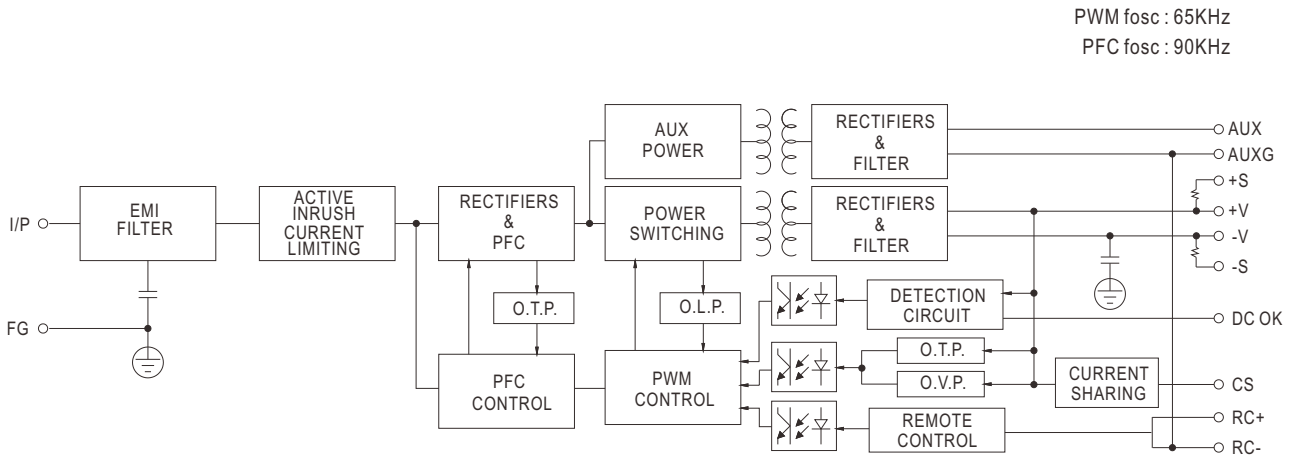
MODEL		MSP-1000-12	MSP-1000-15	MSP-1000-24	MSP-1000-48	
OUTPUT	DC VOLTAGE	12V	15V	24V	48V	
	RATED CURRENT	80A	64A	42A	21A	
	CURRENT RANGE	0 ~ 80A	0 ~ 64A	0 ~ 42A	0 ~ 21A	
	RATED POWER	960W (max. 1000W for 3 sec.)	960W (max. 1000W for 3 sec.)	1008W	1008W	
	RIPPLE & NOISE (max.) Note.2	150mVp-p	150mVp-p	200mVp-p	250mVp-p	
	VOLTAGE ADJ. RANGE	11 ~ 14V	14 ~ 17V	22 ~ 28V	46 ~ 56V	
	VOLTAGE TOLERANCE Note.3	±2.0%	±1.5%	±1.0%	±1.0%	
	LINE REGULATION	±0.5%	±0.5%	±0.5%	±0.5%	
	LOAD REGULATION	±2.0%	±1.5%	±0.5%	±0.5%	
	SETUP, RISE TIME	1000ms, 50ms/230VAC	2000ms, 50ms/115VAC at full load			
HOLD UP TIME (Typ.)	16ms/230VAC	16ms/115VAC at full load				
INPUT	VOLTAGE RANGE Note.4	90 ~ 264VAC(300VAC for 5 sec.)	127 ~ 370VDC			
	FREQUENCY RANGE	47 ~ 63Hz				
	POWER FACTOR (Typ.)	PF>0.95/230VAC	PF>0.98/115VAC at full load			
	EFFICIENCY (Typ.)	91.5%	92%	93%	94%	
	AC CURRENT (Typ.)	8.5A/115VAC	5A/230VAC			
	INRUSH CURRENT (Typ.)	20A/115VAC	40A/230VAC			
	LEAKAGE CURRENT	Earth leakage current < 360µA/264VAC , Touch leakage current < 100µA/264VAC				
PROTECTION	OVERLOAD	105 ~ 135% rated output power Protection type : Constant current limiting, recovers automatically after fault condition is removed				
	OVER VOLTAGE	14.5 ~ 16.5V	18.2 ~ 20.6V	29 ~ 33V	58 ~ 65V	
	OVER TEMPERATURE	Shut down o/p voltage, recovers automatically after temperature goes down				
FUNCTION	CURRENT SHARING	Up to 4000W or (3+1) units. Please refer to the Function Manual.				
	REMOTE ON-OFF CONTROL	Power ON : short; Power OFF : open. Please refer to the Function Manual.				
	REMOTE SENSE	Compensate voltage drop on the load wiring up to 0.5V. Please refer to the Function Manual.				
	DC-OK SIGNAL	The TTL signal out, PSU turn on = 3.3 ~ 5.6V; PSU turn off = 0 ~ 1V. Please refer to the Function Manual.				
	5V STANDBY	5VSB : 5V@0.3A; tolerance ±5%, ripple : 50mVp-p(max.)				
ENVIRONMENT	FAN CONTROL	Fan on/off by NTC(RT50) or 30% load min.				
	WORKING TEMP.	-40 ~ +70°C (Refer to "Derating Curve")				
	WORKING HUMIDITY	20 ~ 90% RH non-condensing				
	STORAGE TEMP., HUMIDITY	-40 ~ +85°C, 10 ~ 95% RH non-condensing				
	TEMP. COEFFICIENT	±0.03%/°C (0 ~ 50°C)				
SAFETY & EMC (Note 8)	VIBRATION	10 ~ 500Hz, 5G 10min./1cycle, 60min. each along X, Y, Z axes				
	SAFETY STANDARDS	IEC 60601-1:2005+A1+A2, ANSI/AAMI ES60601-1:2005+A2, CAN/CSA C22.2 No. 60601-1:2014+A2, EAC TP TC 004 approved; Design refer to BS EN/EN60335-1, BS EN/EN 62368-1(by request)				
	ISOLATION LEVEL	Primary-Secondary: 2×MOPP, Primary-Earth: 1×MOPP, Secondary-Earth: 1×MOPP				
	WITHSTAND VOLTAGE	I/P-O/P:4.5KVAC I/P-FG:2KVAC O/P-FG:1.5KVAC				
	ISOLATION RESISTANCE	I/P-O/P, I/P-FG, O/P-FG:100M Ohms / 500VDC / 25°C / 70% RH				
	EMC EMISSION	Parameter	Standard		Test Level / Note	
		Conducted	BS EN/EN55011 (CISPR11)		Class B	
		Radiated	BS EN/EN55011 (CISPR11)		Class B	
		Harmonic Current	BS EN/EN61000-3-2		Class A	
	EMC IMMUNITY	Voltage Flicker	BS EN/EN61000-3-3		-----	
		Parameter	Standard		Test Level / Note	
		ESD	BS EN/EN61000-4-2		Level 4, 15KV air ; Level 4, 8KV contact	
Radiated		BS EN/EN61000-4-3		Level 3		
EFT / Burst		BS EN/EN61000-4-4		Level 3		
Surge		BS EN/EN61000-4-5		Level 4, 2KV/Line-Line 4KV/Line-Earth		
Conducted		BS EN/EN61000-4-6		Level 3		
Magnetic Field		BS EN/EN61000-4-8		Level 4		
Voltage Dips and Interruptions	BS EN/EN61000-4-11		100% dip 1 periods, 30% dip 25 periods, 100% interruptions 250 periods			
OTHERS	MTBF	850.5K hrs min. Telcordia SR-332 (Bellcore); 105.8K hrs min. MIL-HDBK-217F (25°C)				
	DIMENSION	218*105*63.5mm (L*W*H)				
	PACKING	1.53Kg;8pcs/13.3Kg/1.34CUFT				
NOTE	<p>1. All parameters NOT specially mentioned are measured at 230VAC input, rated load and 25°C of ambient temperature.</p> <p>2. Ripple & noise are measured at 20MHz of bandwidth by using a 12" twisted pair-wire terminated with a 0.1uf & 47uf parallel capacitor.</p> <p>3. Tolerance : includes set up tolerance, line regulation and load regulation.</p> <p>4. Derating may be needed under low input voltages. Please check the derating curve for more details.</p> <p>5. Length of set up time is measured at first cold start. Turning ON/OFF the power supply may lead to increase of the set up time.</p> <p>6. No load power consumption<0.75W when RC+ & RC- (CN100 pin3,4) open.</p> <p>7. When the input voltage is less than 40VAC, the SPS may exhibit degradation of performance. The final product manufacturers must re-confirm this deviation that does not affect basic safety or essential performance.</p> <p>8. The power supply is considered a component which will be installed into a final equipment. All the EMC tests are been executed by mounting the unit on a 360mm*700mm metal plate with 1mm of thickness. The final equipment must be re-confirmed that it still meets EMC directives. For guidance on how to perform these EMC tests, please refer to "EMI testing of component power supplies." (as available on https://www.meanwell.com/Upload/PDF/EMI_statement_en.pdf)</p> <p>9. The ambient temperature derating of 3.5°C/1000m with fanless models and of 5°C/1000m with fan models for operating altitude higher than 2000m(6500ft).</p> <p>※ Product Liability Disclaimer : For detailed information, please refer to https://www.meanwell.com/serviceDisclaimer.aspx</p>					



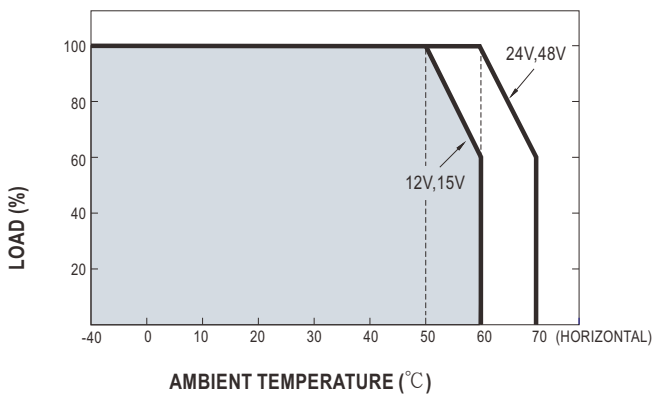
1000W Single Output Medical Type

MSP-1000 series

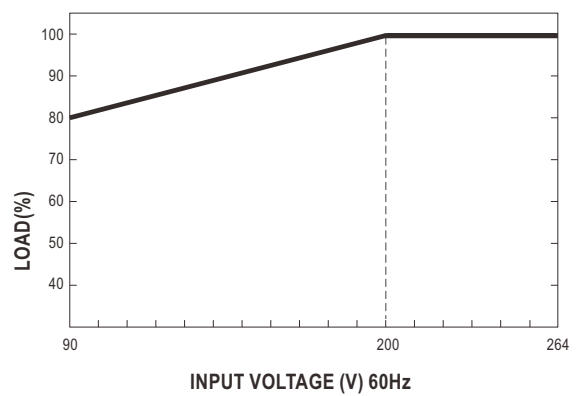
■ Block Diagram



■ Derating Curve



■ Output Derating VS Input Voltage



■ Function Description of CN100

Pin No.	Function	Description
1	AUXG	Auxiliary voltage output ground.
2	AUX	Auxiliary voltage output, 4.75~5.25V, referenced to pin 1(AUXG). The maximum load current is 0.3A. This output is not controlled by the "remote ON/OFF control".
3	RC+	Turns the output on and off by electrical or dry contact between pin 4 (RC-), Short: Power ON, Open: Power OFF.
4	RC-	Remote control ground.
5	CS	Current sharing signal. When units are connected in parallel, the CS pins of the units should be connected to allow current balance between units.
6,8	GND	This pin connects to the negative terminal(-V). Return for DC-OK signal output.
7	DC-OK	DC-OK signal is a TTL level signal, referenced to pin8(DC-OK GND). High when PSU turns on.
9	+S	Positive sensing. The +S signal should be connected to the positive terminal of the load. The +S and -S leads should be twisted in pair to minimize noise pick-up effect. The maximum line drop compensation is 0.5V.
10	-S	Negative sensing. The -S signal should be connected to the negative terminal of the load. The -S and +S leads should be twisted in pair to minimize noise pick-up effect. The maximum line drop compensation is 0.5V.

■ Function Manual

1. Remote Sense

The remote sensing compensates voltage drop on the load wiring up to 0.5V.

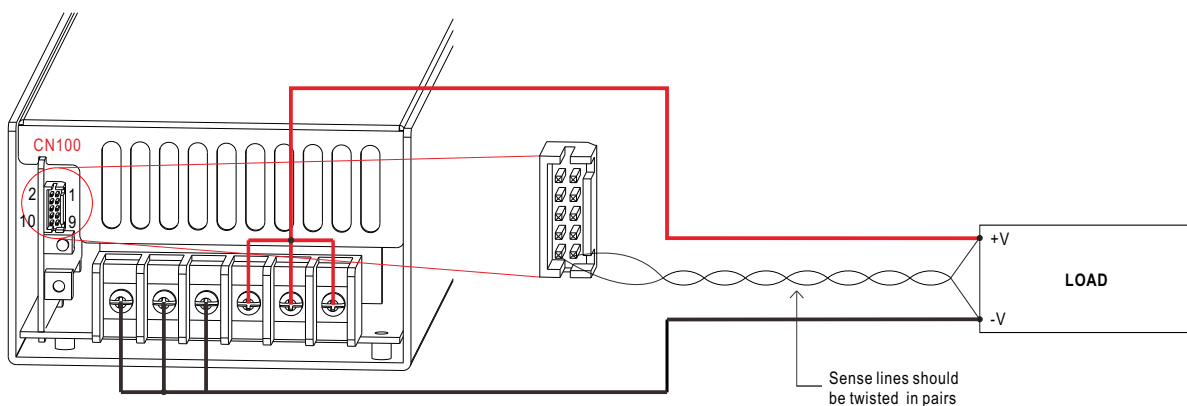


Fig 1.1

2. DC-OK Signal

DC-OK signal is a TTL level signal. High when PSU turns on.

Between DC-OK(pin7) and GND(pin6,8)	Output Status
3.3 ~ 5.6V	ON
0 ~ 1V	OFF

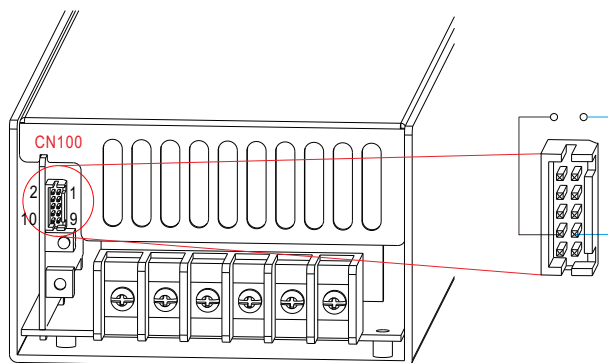


Fig 2.1



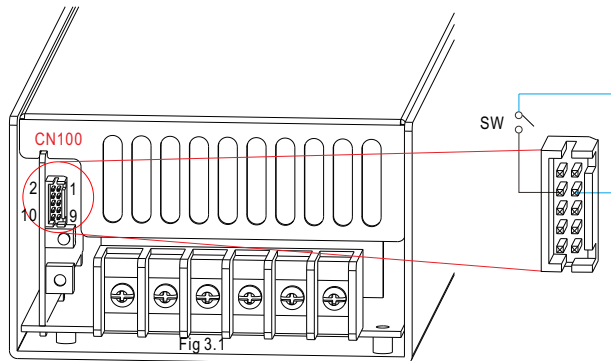
1000W Single Output Medical Type

MSP-1000 series

3. Remote ON-OFF Control

The PSU can be turned ON/OFF by using the "Remote Control" function.

Between RC+(pin3) and RC-(pin4)	Output Status
SW ON (Short)	ON
SW OFF (Open)	OFF



4. Current Sharing

MSP-1000 has the built-in active current sharing function and can be connected in parallel, up to 4 units, to provide higher output power as exhibited below :

- ※ The power supplies should be paralleled using short and large diameter wiring and then connected to the load.
- ※ Difference of output voltages among parallel units should be less than 0.2V.
- ※ The total output current must not exceed the value determined by the following equation:

$$\text{Maximum output current at parallel operation} = (\text{Rated current per unit}) \times (\text{Number of unit}) \times 0.9$$
- ※ When the total output current is less than 5% of the total rated current, or say $(5\% \text{ of Rated current per unit}) \times (\text{Number of unit})$ the current shared among units may not be fully balanced.

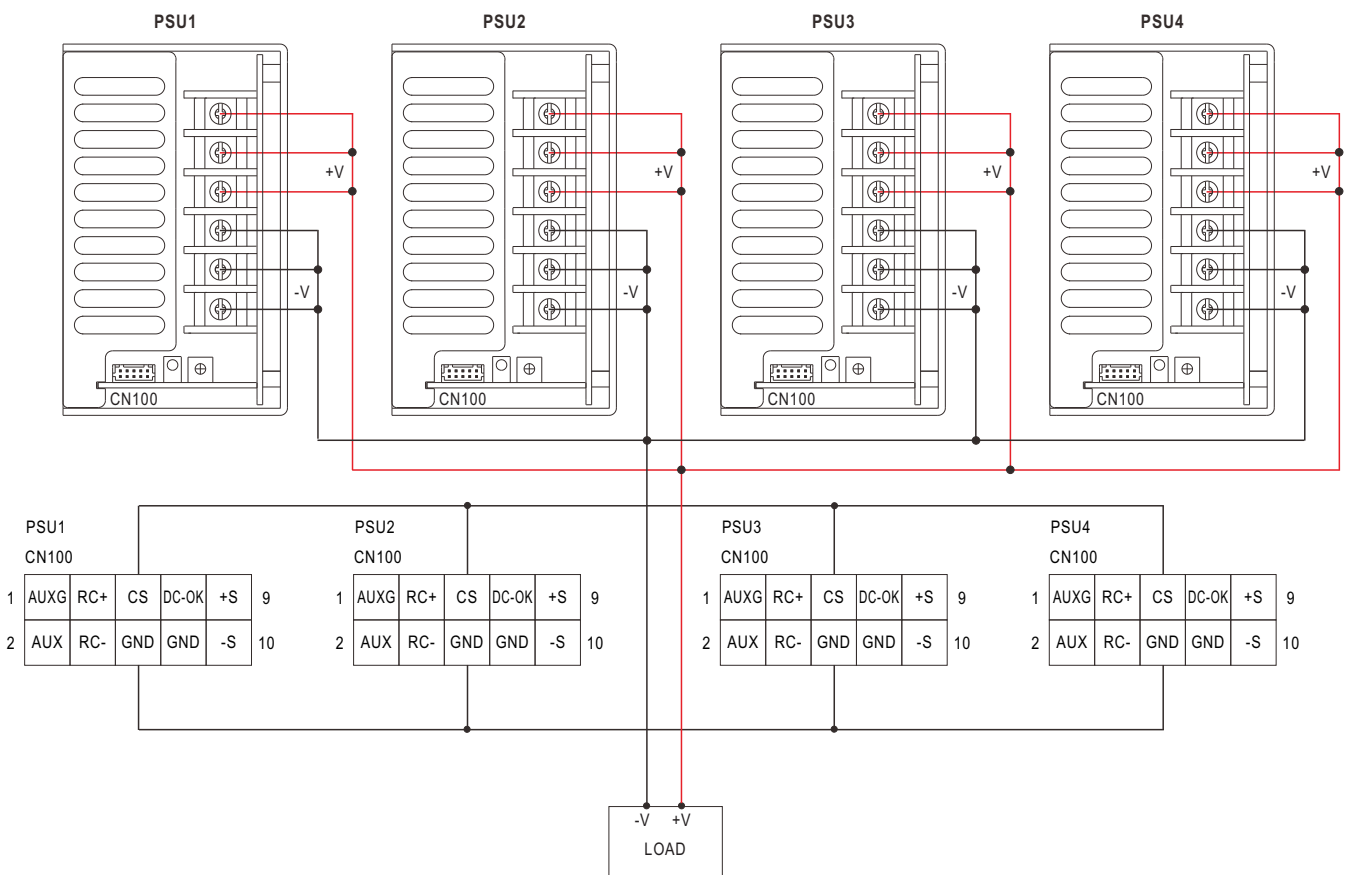


Fig 4.1



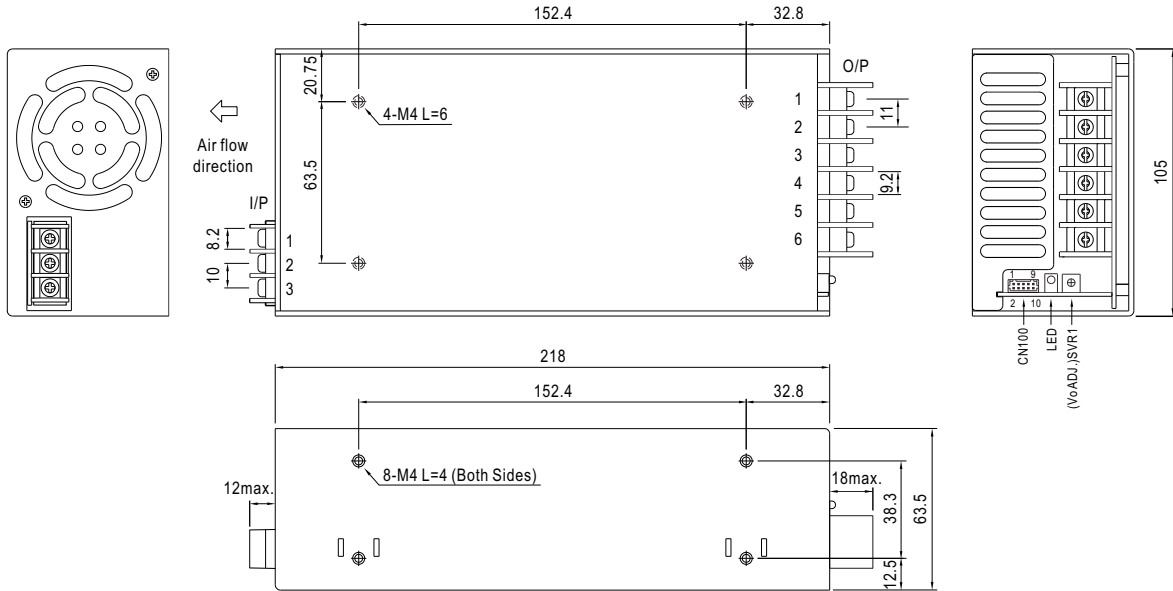
1000W Single Output Medical Type

MSP-1000 series

■ Mechanical Specification

(Unit: mm , tolerance $\pm 0.5\text{mm}$)

Case No. 977



AC Input Terminal Pin No. Assignment

Pin No.	Assignment
1	AC/L
2	AC/N
3	FG \perp

DC Output Terminal Pin No. Assignment

Pin No.	Assignment
1~3	+V
4~6	-V

Connector Pin No. Assignment(CN100) : HRS DF11-10DP-2DS or equivalent

Pin No.	Assignment	Pin No.	Assignment	Mating Housing	Terminal
1	AUXG	6,8	GND	HRS DF11-10DS or equivalent	HRS DF11-**SC or equivalent
2	AUX	7	DC-OK		
3	RC+	9	+S		
4	RC-	10	-S		
5	CS				

■ Installation Manual

Please refer to : <http://www.meanwell.com/manual.html>