

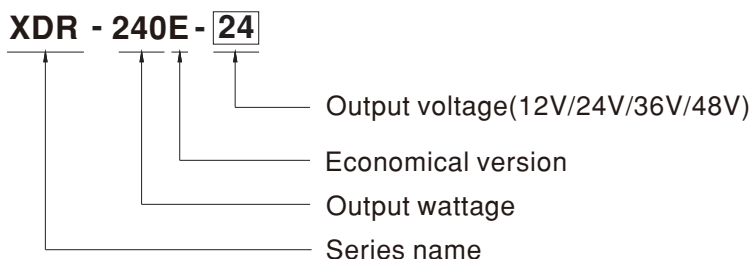
### ■ Features

- 85~264Vac input with PFC
- **Global certificates in multi-fields** (ITE 62368-1, Industrial 61558-1/-2-16, 61010)
- **40mm** slim width
- High efficiency up to **95.5%** and no load power dissipation < **1.2W**
- Built-in **constant current** limiting circuit
- Protections: Short circuit / Overload / Over voltage / Over temperature
- Fanless design, cooling by free air convection
- Over voltage category III (**OVC III**)
- **-40~+70°C** wide range operation temperature (>+50°C derating)
- Operating altitude up to **5000 meters**
- Built-in DC OK relay contact
- Can be installed on DIN rail TS-35/7.5 or 15
- 3 years warranty

### ■ Description

The XDR-240E series is a 240W AC/DC economical ultra slim industrial DIN rail power. Key features of this series include a narrow 40mm casing, optimizing system installation space, and an ultra-wide input range of 85~264Vac suitable for global use. It boasts a maximum efficiency of 95.5% and a low standby power consumption < 1.2W for energy savings and carbon reduction. It has built-in constant current, fanless design, a wide operating temperature range of -40 to +70°C (up to +50°C at full load); OVCIII compliance; built-in DC OK signal. With comprehensive protection functions, complete safety certifications, and a 3-years warranty, the XDR-240E series is a compact, high-performance, and highly reliable DIN rail power supply.

### ■ Model Encoding



### ■ Applications

- Industrial control system
- Semiconductor fabrication equipment
- Factory automation
- Electro-mechanical apparatus
- Battery charger

### ■ GTIN CODE

MW Search: <https://www.meanwell.com/serviceGTIN.aspx>



## 240W AC/DC Economical Ultra Slim Industrial DIN Rail Power **XDR-240E** series

SPECIFICATION	XDR-240E-12	XDR-240E-24	XDR-240E-36	XDR-240E-48
<b>OUTPUT</b>				
DC VOLTAGE	12V	24V	36V	48V
RATED CURRENT	20A	10A	6.66A	5A
CURRENT RANGE	0 ~ 20A	0 ~ 10A	0 ~ 6.66A	0 ~ 5A
RATED POWER	240W			
RIPPLE & NOISE (max.)	Note.2 100mVp-p	100mVp-p	120mVp-p	150mVp-p
VOLTAGE ADJ. RANGE	12 ~ 15V	24 ~ 29V	36 ~ 42V	48 ~ 55V
VOLTAGE TOLERANCE	Note.3 ± 2.0%	± 1.0%	± 1.0%	± 1.0%
LINE REGULATION	± 0.5%	± 0.5%	± 0.5%	± 0.5%
LOAD REGULATION	± 1.0%	± 1.0%	± 1.0%	± 1.0%
SETUP, RISE TIME	1200ms, 60ms/230Vac    2500ms, 150ms/115Vac at full load			
HOLD UP TIME (Typ.)	20ms/230Vac    20ms/115Vac at full load			
<b>INPUT</b>				
AC VOLTAGE RANGE	85 ~ 264Vac			
DC VOLTAGE RANGE	120 ~ 370Vdc			
NO LOAD POWER CONSUMPTION (Typ.)	1W @115Vac & 230Vac		1.2W @115Vac & 230Vac	
FREQUENCY RANGE	47 ~ 63Hz			
POWDR FACTOR (Typ.)	PF>0.95/230Vac PF>0.98/115Vac at full load			
EFFICIENCY (Typ.)	94%	95.2%	95.5%	95.5%
AC CURRENT (Typ.)	2.6A/115Vac    1.3A/230Vac			
INRUSH CURRENT (Typ.)	COLD START    15A/115Vac    30A/230Vac			
LEAKAGE CURRENT	<1mA / 240Vac			
<b>PROTECTION</b>				
OVERLOAD	105~130% rated output power			
	Hiccup mode when output voltage <30%, recovers automatically after fault condition is removed			
	Constant current limiting without shutdown within 30%~100% rated output voltage, recovers automatically after fault condition is removed			
OVER VOLTAGE	Max. 18V	Max. 35V	Max. 50V	Max. 63V
	Protection type : Hiccup mode, recovers automatically after fault condition is removed			
OVER TEMPERATURE	Protection type : Shut down o/p voltage, recovers automatically after temperature goes down			
<b>FUNCTION</b>				
DC OK RELAY CONTACT	Relay Contact Ratings (max.):30Vdc/1A, 30Vac/0.5A resistive load			
<b>ENVIRONMENT</b>				
WORKING TEMP.	-40 ~ +70 °C (Refer to "Derating Curve")			
WORKING HUMIDITY	20 ~ 95% RH non-condensing			
STORAGE TEMP., HUMIDITY	-40 ~ +85 °C, 10 ~ 95% RH non-condensing			
TEMP. COEFFICIENT	±0.03% /°C (0 ~ 50°C)			
VIBRATION	Component:10 ~ 500Hz, 2G 10min./1cycle, 60min. each along X, Y, Z axes; Mounting: Compliance to IEC60068-2-6			



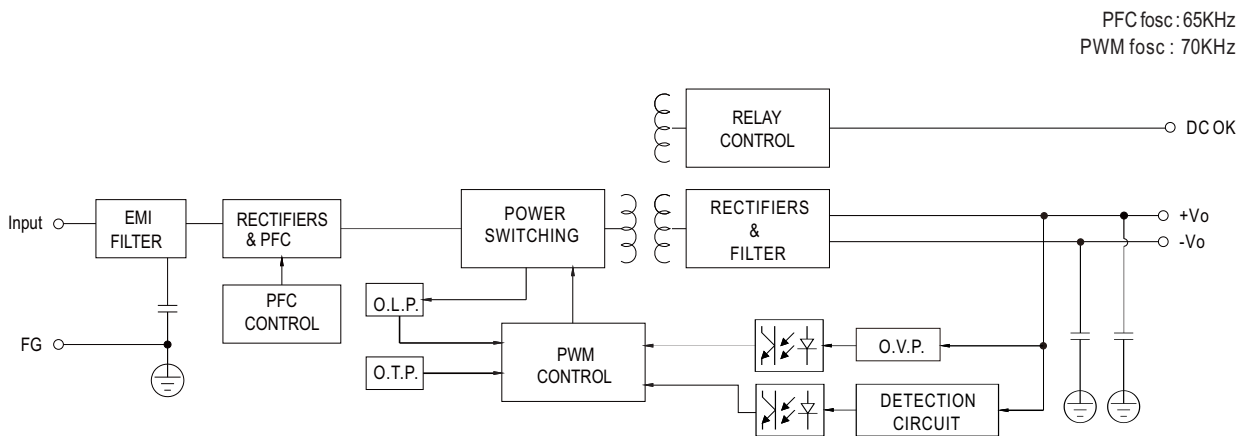
# 240W AC/DC Economical Ultra Slim Industrial DIN Rail Power **XDR-240E** series

SPECIFICATION	XDR-240E-12	XDR-240E-24	XDR-240E-36	XDR-240E-48
<b>SAFETY &amp; EMC</b> <span style="float: right;">Note.6&amp;7&amp;8</span>				
<b>SAFETY STANDARDS</b>	CB IEC 62368-1, IEC 61558-1/2-16, IEC 61010-1/2-201 TUV BS EN/EN 62368-1, BS EN /EN 61558-1/2-16, BS EN/EN 61010-1/2-201 UL UL/CUL 61010-1/2-201 CCC GB4943.1 BSMI CNS15598-1 EAC TPTC004 approved KC/BIS <b>KC 62368-1 and BIS IS 13252 (Part 1) certified, No stock ,contact sales by request</b>			
<b>OVER VOLTAGE CATEGORY</b> <span style="float: right;">Note.4</span>	IEC/EN 61558-1/2-16 (OVC III, altitude up to 2000m ) IEC/EN/UL 61010-1/2-201 (OVC II , altitude up to 5000m ) IEC/EN 62368-1 (OVC II , altitude up to 5000m )			
<b>SAFETY EXTRA-LOW VOLTAGE(SELV)</b>	IEC/EN 61558-2-16 (SELV ) IEC/EN 62368-1 (SELV / ES1 )			
<b>WITHSTAND VOLTAGE</b>	I/P-O/P: 4KVac I/P-FG: 2KVac O/P-FG: 1.5KVac O/P-DC OK: 0.5KVac			
<b>ISOLATION RESISTANCE</b>	I/P-O/P, I/P-FG, O/P-FG: 100M Ohms/500Vdc/25°C / 70%RH			
<b>EMC EMISSION</b>	<b>Parameter</b>	<b>Standard</b>		<b>Test Level / Note</b>
	Conducted	BS EN/EN55032 (CISPR32) / BS EN/EN61204-3 / CNS15936 / KS C 9832		Class B
	Radiated	BS EN/EN55032 (CISPR32) / BS EN/EN61204-3 / CNS15936 / KS C 9832		Class B
	Harmonic Current	BS EN/EN61000-3-2		Class A
	Voltage Flicker	BS EN/EN61000-3-3		----
<b>EMC IMMUNITY</b>	BS EN/EN55035 , BS EN/EN61204-3, BS EN/EN61000-6-2(BS EN/EN50082-2), KS C 9835			
	<b>Parameter</b>	<b>Standard</b>		<b>Test Level / Note</b>
	ESD	BS EN/EN61000-4-2		Level 3, 8KV air ; Level 2, 4KV contact; criteria A
	Radiated	BS EN/EN61000-4-3		Level 3, 10V/m ; criteria A
	EFT / Burst	BS EN/EN61000-4-4		Level 3, 2KV ; criteria A
	Surge	BS EN/EN61000-4-5		Level 4, 2KV/Line-Line ;Level 4, 4KV/Line-Line-Chassis ;criteria A
	Conducted	BS EN/EN61000-4-6		Level 3, 10V ; criteria A
	Magnetic Field	BS EN/EN61000-4-8		Level 4, 30A/m ; criteria A
<b>OTHERS</b>				
<b>MTBF</b>	1723.2K hrs min. Telcordia SR-332 (Bellcore) ; 324.4K hrs min. MIL-HDBK-217F (25°C)			
<b>DIMENSION</b>	<b>40*125.2*116mm (W*H*D)</b>			
<b>PACKING</b>	610g; 16pcs/12.2Kg/1.27CUFT			
<b>NOTE</b>				
1. All parameters NOT specially mentioned are measured at 230Vac input, rated load and 25°C of ambient temperature. 2. Ripple & noise are measured at 20MHz of bandwidth by using a 12" twisted pair-wire terminated with a 0.1 μF & 47 μF parallel capacitor. 3. Tolerance : includes set up tolerance, line regulation and load regulation. 4. The ambient temperature derating of 3.5°C/1000m with fanless models and of 5°C/1000m with fan models for operating altitude higher than 2000m(6500ft). 5. Installation clearances : 40mm on top, 20mm on the bottom, 5mm on the left and right side are recommended when loaded permanently with full power. In case the adjacent device is a heat source, 15mm clearance is recommended. 6. The power supply is considered a component which will be installed into a final equipment. The final equipment must be re-confirmed that it still meets EMC directives. (as available on <a href="https://www.meanwell.com/Upload/PDF/EMI_statement_en.pdf">https://www.meanwell.com/Upload/PDF/EMI_statement_en.pdf</a> ) 7. The Regulatory Compliance Mark (RCM) is applied on a voluntary basis. The equipment meets the relevant IEC or AS/NZS standards, or AS/NZS 3820 where applicable. The use of the RCM mark complies with AS/NZS 4417.1. 8. Some factory or model may not have the BIS logo, please contact your MEAN WELL sales for more information. ※ Product Liability Disclaimer : For detailed information, please refer to <a href="https://www.meanwell.com/serviceDisclaimer.aspx">https://www.meanwell.com/serviceDisclaimer.aspx</a>				

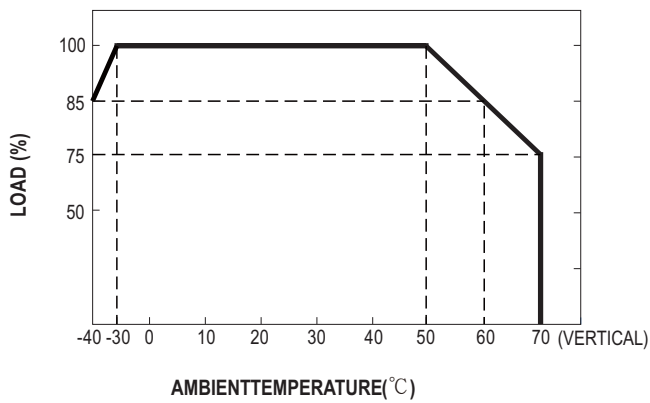


# 240W AC/DC Economical Ultra Slim Industrial DIN Rail Power XDR-240E series

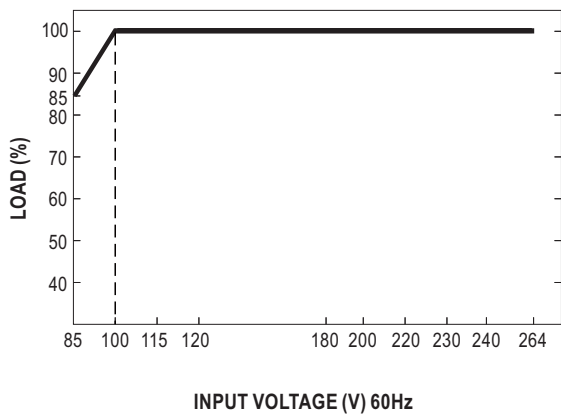
## Block Diagram



## Derating Curve



## Static Characteristics

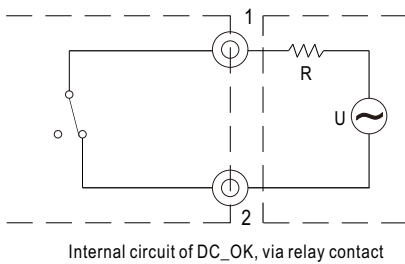




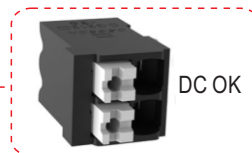
■ **Function Manual**

**1.DC OK Relay Contact**

Contact Close	PSU turns ON / DC OK.
Contact Open	PSU turns OFF / DC Fail.
Contact Ratings (max.)	30Vdc/1A, 30Vac/0.5A resistive load.



External voltage source (U) and resistor (R)  
(The max. Sink is 30Vdc/1A, 30Vac/0.5A)



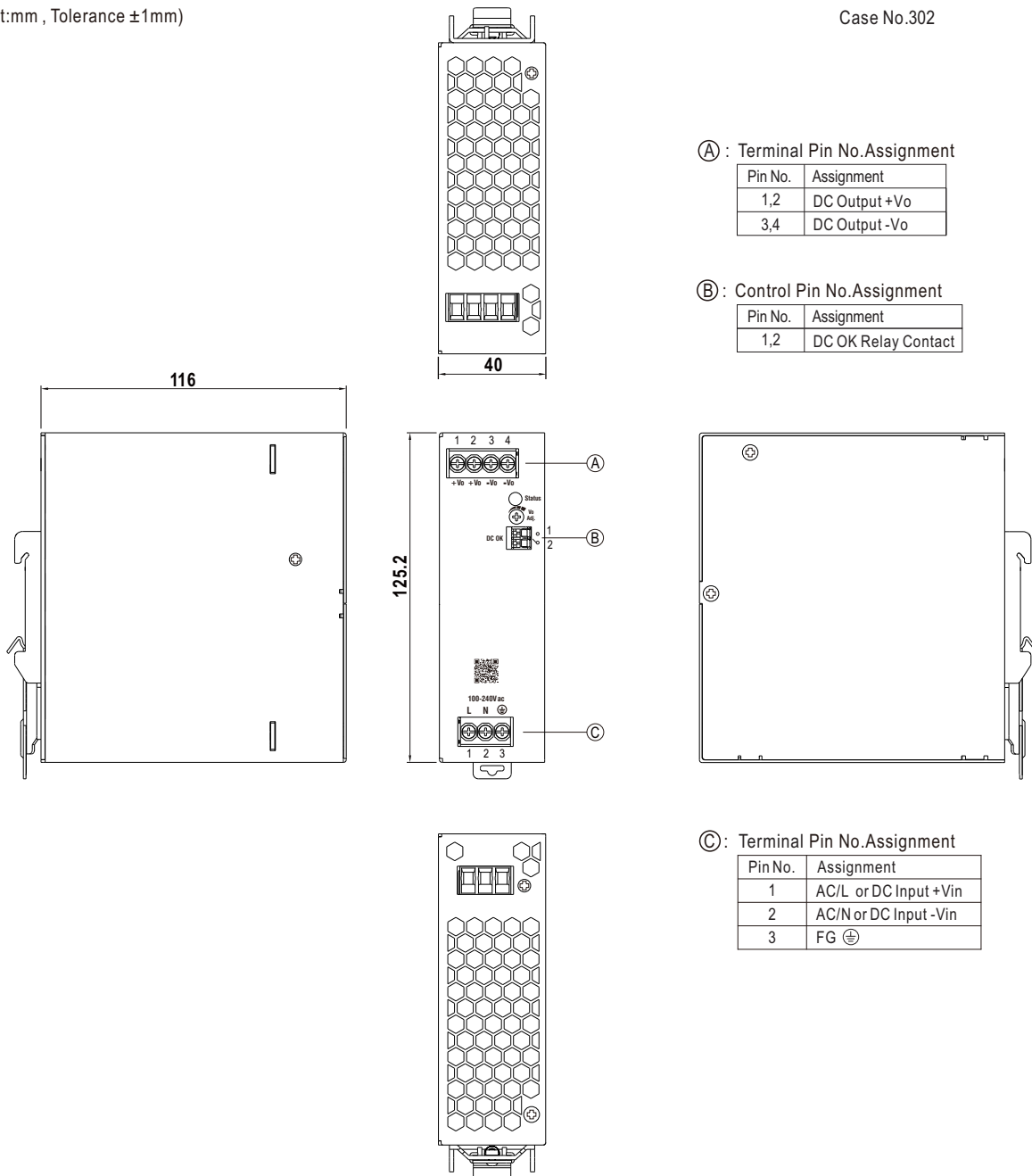


# 240W AC/DC Economical Ultra Slim Industrial DIN Rail Power **XDR-240E** series

## ■ Mechanical Specification

(Unit:mm , Tolerance  $\pm 1$ mm)

Case No.302



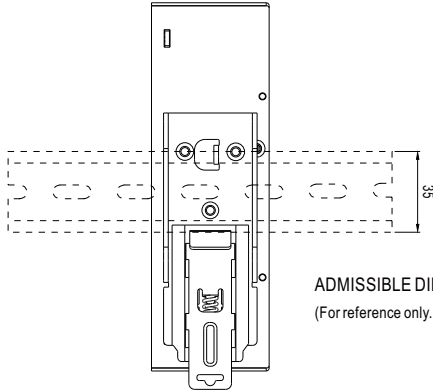
## ■ Recommend Wiring

		AC Input T.B	DC Output T.B	Signal connector
Solid Wire		6mm <sup>2</sup> max.	6mm <sup>2</sup> max.	1.5mm <sup>2</sup> max.
A.W.G	XDR-240E-12	20~10 AWG	14~10 AWG	24~16 AWG
	XDR-240E-24/36/48		18~10 AWG	
Wire Stripping Length		7~8mm	7~8mm	8~9mm
Screw Terminal Torque		5 Lb-In	5 Lb-In	/



## 240W AC/DC Economical Ultra Slim Industrial DIN Rail Power **XDR-240E** series

### ■ Installation Instruction



ADMISSIBLE DIN-RAIL: TS35/7.5 OR TS35/15  
(For reference only. Not included with unit.)

This series fits DIN rail TS35/7.5 or TS35/15.  
For installation details, please refer to the Instruction manual.

### ■ Installation Manual

Please refer to : <http://www.meanwell.com/manual.html>